

**Valve 2/2 way - angle seat/process valve N.O. -  
Flow direction below the seat - pneumatically  
operated - with electrical position indicators**

**21IA4T15NA2-IP1  
÷  
21IA9T50NA2-IP1**

**PRESENTATION:**

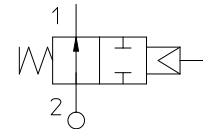
- High flow rate due to the angle seat configuration.
- Anti-water hammer feature with the fluid entry below the seat.
- Electrical operation is easy with the addition of a solenoid pilot.
- Stainless steel body and corrosion resistant actuator.
- The pneumatic actuator can be rotated through 360 degrees.
- Optical position indicator.
- Internal seals are self adjusting for long life.
- Easily convertible from N.C. to N.O. or double acting.
- Universal mounting - any mounting orientation is acceptable.

**USE:** Automation, Heating, Water, Hot water, Steam (180°C), Aggressive and food fluids

**PIPES:** 1/2 NPT - 2 NPT

**VALVE FEATURES:**

Fluid Temperature - 10°C + 180°C  
Ambient temperature - 10°C + 60°C  
Material Stainless steel AISI series 316  
Seal PTFE  
Packing gland PTFE, FKM



**PILOT ACTUATOR FEATURES:**

Fluid Dry Air or lubricated, gas and neutral fluids  
Fluid Temperature max + 60°C  
Body Polyamide 66 with 30% glass fibre  
Gaskets NBR  
Actuator Ø 70

Pipe ANSI/ASME BI.20.1	Code	Ø mm	Kv l/mn	Actuator pilot pressure (bar)		Differential pressure (bar)		Max. allowable pressure PS (bar)	Weight Kg
				min	max	min	max		
1/2 NPT	21IA4T15NA2-IP1	15	80	1,5	10	0	(See pressure graph)	40	1,2
3/4 NPT	21IA5T20NA2-IP1	20	150						1,3
1 NPT	21IA6T25NA2-IP1	25	190						1,6
1 1/4 NPT	21IA7T32NA2-IP1	32	340					25	2,2
1 1/2 NPT	21IA8T40NA2-IP1	40	430						2,5
2 NPT	21IA9T50NA2-IP1	50	620						3,7



**CE Approval**

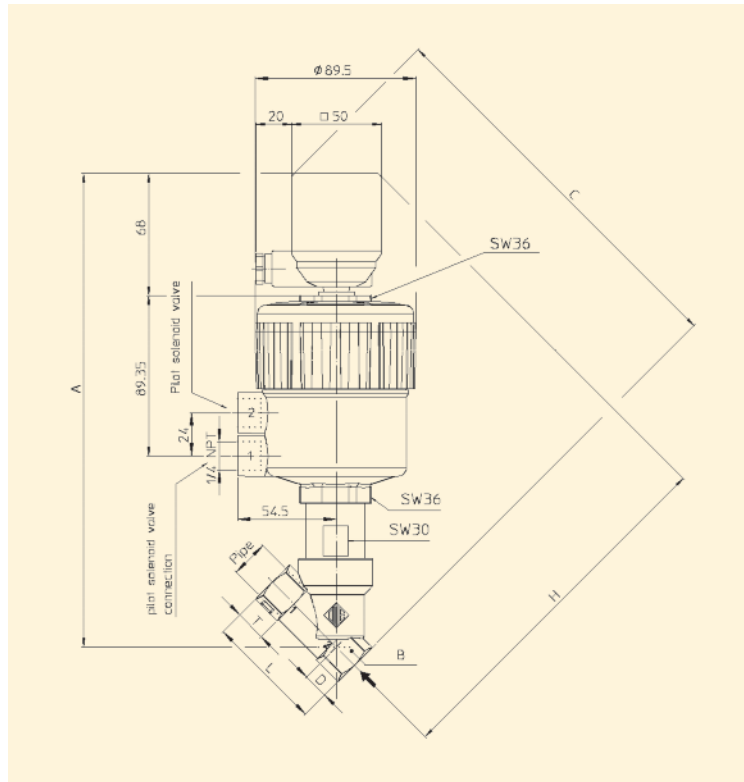
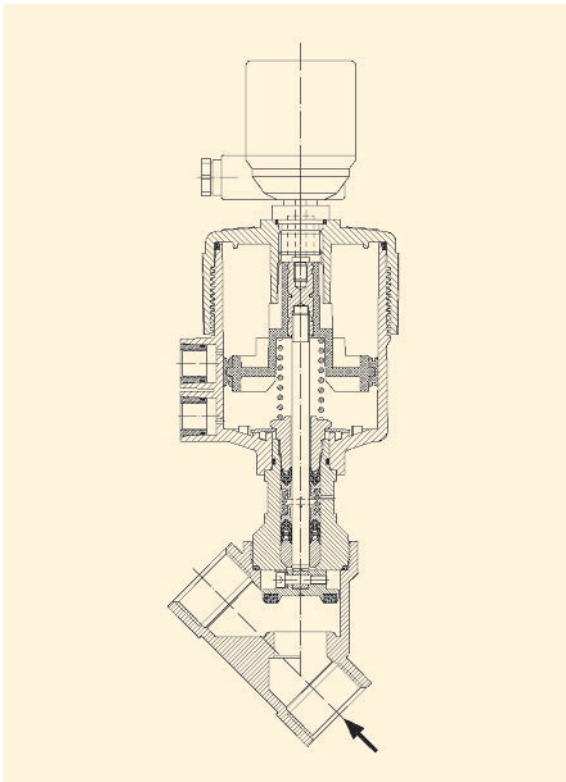
(Pressure Equipment Directive 97/23/CE)

for Valve 21IA7 ÷ 21IA9

**Note**

Available on request pilot S.V. 31A2AV20+BDA (see catalogue page)  
Together with male thread nipple male 1/4 NPT - 1/4 NPT  
Material compatibility with the fluids to be checked.

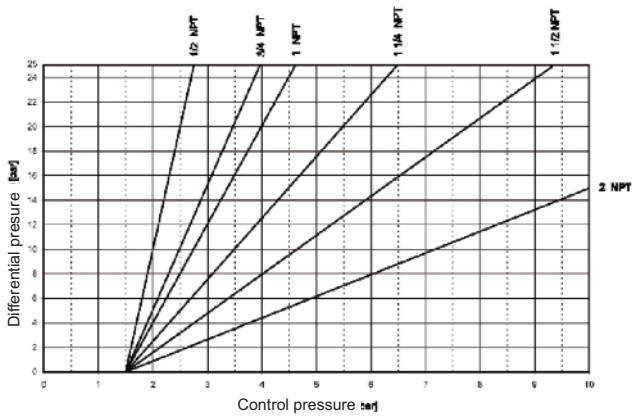
The "ODE" reserves the right to carry out technical and aesthetic modifications without prior notification.



**DIMENSIONS:**

Pipe ANSI/ASME BI.20.1	A mm	B mm	C mm	D mm	H mm	L mm	T mm
1/2 NPT	206,8	SW 27	178,7	15,4	163,3	65	17
3/4 NPT	211,7	SW 32	188,6	21,9	166,7	75,5	19
1 NPT	220,1	SW 41	197,8	25,1	172,7	90	21
1 1/4 NPT	235,9	SW 50	212,3	28,5	183,8	110	24
1 1/2 NPT	238,9	SW 55	217,0	31,0	186	122	25,2
2 NPT	247,8	SW 70	229,7	37,5	192,2	151	28,5

Operating pressure



Connection diagram

