

PRESENTATION:

Combined operation S.V. for interception of fluids compatibles with the construction materials.

Minimum operational pressure is not required.

The materials used and the tests carried out ensure maximum reliability and duration.

USE: Automation, Vacuum packaging
Heating

PIPES: G 3/8 - G 1

COILS:

8W - Ø 13	
BDA -BDS - BSA	155°C (class F)
BDP	160°C (high temperature)
BDF	180°C (class H)
SDH	180°C (class H)
12W -Ø 13	
UDA	155°C (class F)
14W -Ø 13	
GDH	180°C (class H)

MOULDING AND BOBBIN ARE MADE BY 100% VIRGIN MATERIAL.

Max. allowable pressure (PS) 16 bar
Environment temperature:
with class **F** or high temperature coils - 10°C + 60°C
with class **H** coil - 10°C + 80°C



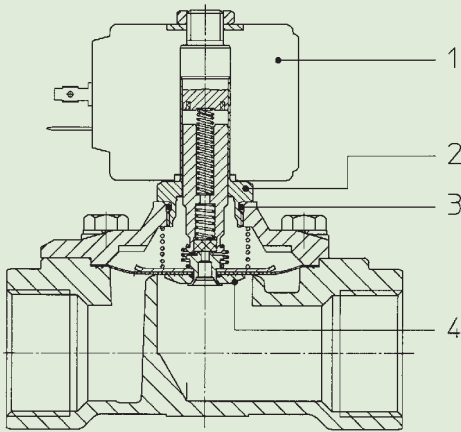
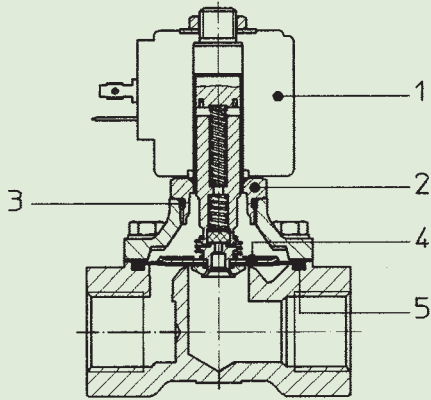
Gaskets	Temperature	Medium
Y=NBR (nitrile rubber) + PA (polyamide)	- 10°C + 90°C	Air, gasolin, fuel oils, inert gas, water



Pipe ISO 228/1	Code	Max viscosity		Ø mm	Kv l/mn	Power (watt)	Pressure			
		cSt	°E				min bar	M.O.P.D.		
								AC bar	DC bar	
G 3/8	21HT3K0Y110			11	20	8			5	
						12			14	
						14				
G 1/2	21HT4K0Y160			16	40	8	14		2,5	
						12			11	
						14			14	
G 3/4	21HT5K0Y160	12	~ 2	16	40	8	0		1,5	
						12			11	
						14			14	
G 1	21HT6K0Y250			25	120	8	0	8	-	
						12			14	1,5
						14			14	6
	*21HT6K0Y250-S				90	8			1	
						12			6	
						14			12	

Note

* For DC only.



MATERIALS:

- Body** Brass - UNI EN 12165 CW617N
- Armature tube** Stainless steel AISI series 300
- Fixed core** Stainless steel AISI series 400
- Plunger** Stainless steel AISI series 400
- Phase displacement ring** Copper - Cu 99,9%
- Spring** Stainless steel AISI series 300
- Seal** Y=NBR+PA
- Orifice** Brass - UNI EN 12165 CW617N

On request:

- Connector** Pg 9 or Pg 11
- Connector conformity** ISO 4400

FEATURES:

- Electrical conformity** IEC 335
- Protection degree** IP 65 EN 60529 (DIN 40050) with coil fitted by connector.

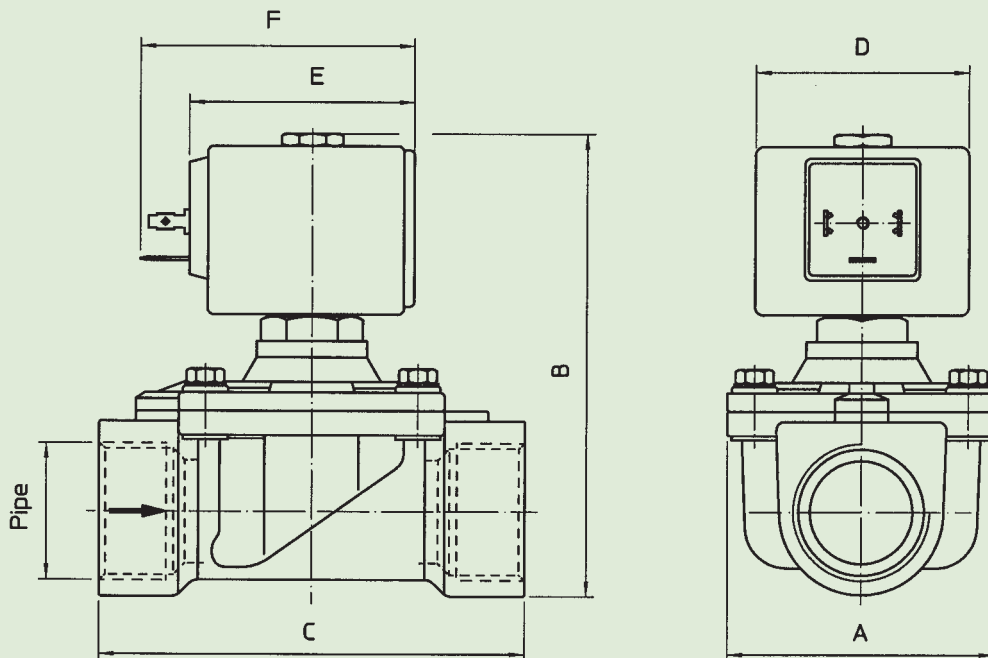
SPARE PARTS:

- 1. Coil:** See coils list
- 2. Complete armature tube without gasket:**
 - G 3/8÷G 3/4 Code R450691
 - G 1 Code R450603
- 3. Gasket O-Ring:** Code R990000/B
- 4. Complete diaphragm with plunger:**
 - G 3/8 Code R452126
 - G 1/2÷G 3/4 Code R452125
 - G 1 Code R452555
- 5. Gasekt O-Ring :** G 3/8÷G 3/4 Code R990105/B

MANITENANCE KIT:

- G 3/8
- KTGHT3K0Y11=4+5
- G 1/2÷ G 3/4
- KTGHT4K0Y16=4+5
- G 1
- KTGHT6K0Y25=4

DIMENSIONS:



Type	Pipe ISO 228/1	A mm	B mm	C mm	COIL W	POWER ABSORPTION		TYPE	DIMENSIONS		
						Inrush VA ~	Hold VA ~		D mm	E mm	F mm
21HT3K0Y110	G 3/8	50	89	56	8 W	25	14,5	B	30	42	54
21HT4K0Y160	G 1/2		100	70				S	32		
21HT5K0Y160	G 3/4										
21HT6K0Y250	G 1	65	112	104	12 W	35	25	U	36	48	60
21HT6K0Y250-S					14 W	43	27	G	52	55	67